

JAC
FORKLIFT

He series 3-5T

NEW ENERGY VEHICLE

JAC diesel vehicle quality reputation + new energy lithium battery

**Versatility
Model**

156V

Continuous operation for 6-8 hours
under comprehensive working conditions



JAC HEAVY DUTY IMPORT & EXPORT CO.,LTD



Durable & Substantial

high strength internal combustion balance weight car body



Climbing capacity

full load up to 20%



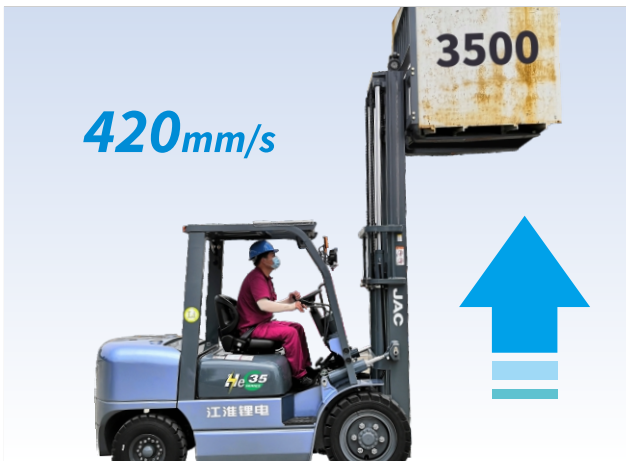
Driving speed

The driving speed can reach 20km / h with full load



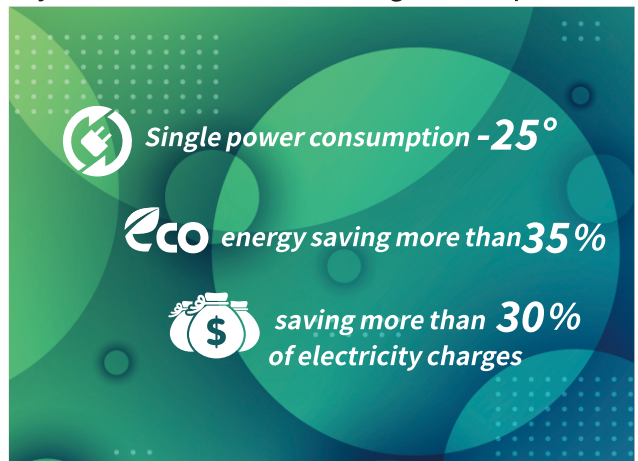
Specs can adjustable

and the parameters of the upper power system can be flexibly adjusted and calibrated according to the requirements



Lifting speed

The lifting speed is 340mm / s for standard type and 420mm / s for power type



Energy saving and environmental protection

Single power consumption-25°, energy saving more than 35%, and saving more than 30% of electricity charges



Charging time

Once charging time is about 90-110 minutes. It can realize charging mode anytime and anywhere if choose High- power charger as optional.



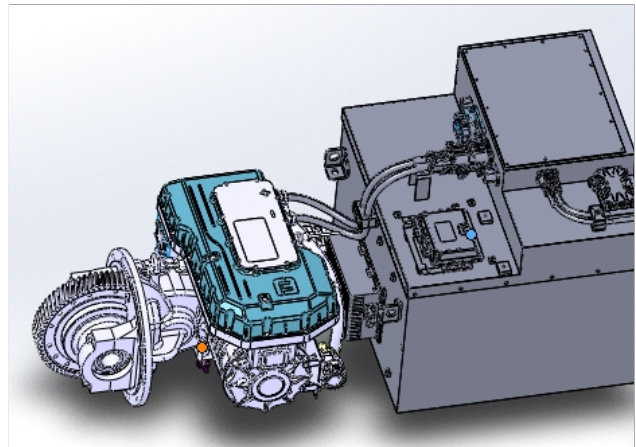
Working environment

working environment temperature:-20-60 °C



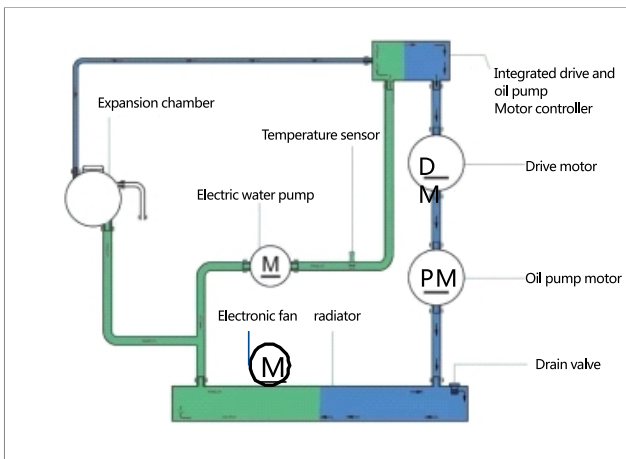
Protection grade

Ip65 protection grade, can achieve the same working conditions as diesel forklift



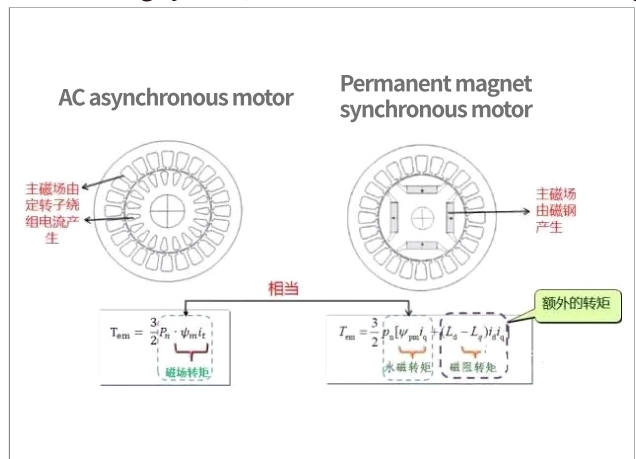
Multiple leakage monitoring

BMS, walking motor, pump motor, multiple insulation monitoring system, automotive level insulation design



Intelligent Temperature Control Liquid Cooling System

so as to Intelligent control of fan and water pump speed,eliminate the phenomenon that the forklift truck can not be used due to overheating protection.



Permanent magnet synchronous motor

Permanent magnet synchronous motor has smaller current and larger starting torque

SPECIFICATIONS

Model			CPD30He	CPD35He	CPD38He	CPD40He	CPD45He	CPD50He		
			Versatility Model- 156V							
Features	Power type		lithium battery	lithium battery	lithium battery	lithium battery	lithium battery	lithium battery		
	Rated load		kg	3000	3500	3800	4000	4500	5000	
	Load center distance		mm	500	500	500	500	500		
	Lift height		mm	3000	3000	3000	3000	3000		
	Free lift height		mm	150	65	70	80	150		
	Fork size		L × W × T	mm	1070 × 125 × 45	1070 × 125 × 50	1070 × 150 × 50		1070 × 150 × 50	
	Mast tilt angle		FR/RR	°	8/10					
	Minimum turning radius		mm	2550	2570	2585	2835	3190	3210	
	Minimum right angle stacking aisle width		mm	4025	4045	4065	4325	4915	4935	
	Minimum right angle aisle width		mm	2750	2770	2785	3035	2678	2698	
	Minimum ground clearance		mm	140		172	212	180		
	Height of overhead guard		mm	2090		2105	2140	2280		
	Height form seat to overhead guard		mm	1000		980	945	950		
	Overhang (FR)		mm	475	485	495	490	547		
Performance	Maximum travel speed		Full load	km/h		20	19	19	18	
			No load			20	20	18		
	Maximum lift speed		Full load	mm/s	470	420	380	370	350	330
			No load		500	420	420	420	420	420
	Maximum lowering speed		Full load	mm/s	460	360	500	480	440	450
			No load		430	330	480	450	430	430
Performance	Overall length		Without forks	mm	2765	2810	2824	2950	3190	
	Overall width		mm	1230		1255	1435	1480		
	Mast height at maximum lift (with backrest)		mm	4260				4270		
	Mast lowered height		mm	2075			2125	2230		
Power	Tires		Front wheel	28 × 9-15-14PR		250-15-16PR	250-15-16PR	300-15-20RP		
			Rear wheel	6.50-10-10PR			7.00-12-12PR	7.00-12-12RP		
	Wheelbase		mm	1760			1900	2000		
	Tread		Front wheel/rear wheel	mm	1000/970		1015/970	1160/1048	1182/1202	
	Self weight		Without load	kg	4150	4550	4880	5340	6350	6720
	lithium battery		Voltage	V	156V					
			capacity	Ah	165Ah			/	/	
			Maximum gradeability is 15%		220Ah			220AH(18%)		
			Maximum gradeability is 20%							
	Motor		Traveling	KW	18			20		
		Lifting	KW	20			20			
Way of control		AC								
Operating pressure		Mpa	18.5				19.5			
Maximum drawbar pull		KN	20	21	22	22	29	30		

STANDARD EQUIPMENT

- Standard forks
- Light switch
- Durable rib tire
- Drawbar pin
- Hand brake switch
- Hydraulic return filter element
- Standard seat
- Electric horn
- Hour meter
- Headlight
- Tool kit
- Hydraulic suction filter element
- Backrest
- 2 control valves
- WFOV mast
- Tilt adjustable steering wheel
- Rubber pedal pad
- Hydraulic oil scale
- Backup light
- Direction switch
- Cable type parking brake
- Tilt circuit self-locking valve
- Battery
- Key switch
- Back-up buzzer
- Tail lamp
- Lift/tilt lever
- Full hydraulic power steering
- Battery charger
- Brake
- Side mirror
- Rain cover of overhead guard
- Lifting speed limit valve
- Handle
- Instrument
- Turn signal light

OPTIONS EQUIPMENT

- Windshield
- Lengthened forks
- Various attachments
- User specified color
- Rear blue light
- 2-3 stage full free mast
- Cab
- Solid tire
- Non-marking solid type
- Lamp bracket
- Advanced seat
- Fire extinguisher
- Warning light
- Rear lighting headlamp
- Small fan

The company reserves the right to change the parameters without notice.

2M WFOV BASIC MAST

Lift height	Load capacity										Overall height of mast																	
	Counterbalanced forklift truck										3t				3.5t				4t				4.5t					
											Forks (on the ground)		Fully extended		Mast tilt angle		Forks (on the ground)		Fully extended		Mast tilt angle		Forks (on the ground)		Fully extended		Mast tilt angle	
	3t		3.5t		4t		4.5t		With backrest	Without backrest	FR/RR	FR/RR	With backrest	Without backrest	FR/RR	FR/RR	With backrest	Without backrest	FR/RR	FR/RR	With backrest	Without backrest	FR/RR	FR/RR				
mm	kg	kg	kg	kg	kg	kg	kg	mm	mm	mm	°	°	mm	mm	mm	°	°	mm	mm	mm	°	°	mm	mm	mm	°	°	
2000	3000	3000	3500	3500	—	—	—	1575	3260	2730	8/10	8/10	1575	3230	2700	8/10	8/10	1625	3260	2910	8/10	8/10	—	—	—	—	—	
2500	3000	3000	3500	3500	4000	4000	4500	1825	3760	3230	8/10	8/10	1825	3730	3200	8/10	8/10	1875	3760	3410	8/10	8/10	2000	3770	3420	8/10	8/10	
2700	3000	3000	3500	3500	4000	4000	4500	1925	3960	3430	8/10	8/10	1925	3930	3400	8/10	8/10	1975	3960	3610	8/10	8/10	2100	3970	3620	8/10	8/10	
3000	3000	3000	3500	3500	4000	4000	4500	2075	4260	3730	8/10	8/10	2075	4260	3730	8/10	8/10	2125	4260	3910	8/10	8/10	2250	4270	3920	8/10	8/10	
3300	3000	3000	3500	3500	4000	4000	4500	2225	4560	4030	8/10	8/10	2225	4530	4000	8/10	8/10	2275	4560	4210	8/10	8/10	2400	4570	4220	8/10	8/10	
3500	3000	3000	3500	3500	4000	4000	4500	2325	4760	4230	8/10	8/10	2325	4730	4200	8/10	8/10	2375	4760	4410	8/10	8/10	2500	4770	4420	8/10	8/10	
3600	3000	3000	3500	3500	4000	4000	—	2375	4860	4330	8/10	8/10	2375	4830	4300	8/10	8/10	2425	4860	4510	8/10	8/10	—	—	—	—	—	
3700	3000	3000	3500	3500	4000	4000	4500	2425	4960	4430	6/6	8/10	2425	4930	4400	6/6	8/10	—	—	—	—	—	2625	5020	4670	8/10	8/10	
4000	2850	3000	3500	3500	4000	4000	4500	2625	5260	4730	6/6	8/10	2625	5230	4700	6/6	8/10	2675	5260	4910	6/6	8/10	2800	5270	4920	8/10	8/10	
4250	2600	3000	3300	3500	3600	4000	4500	2750	5510	4980	6/6	8/10	2750	5480	4950	6/6	8/10	2800	5510	5160	6/6	8/10	2925	5520	5170	8/10	8/10	
4500	2400	2900	3050	3500	3200	3800	4300	2875	5760	5230	6/6	6/6	2875	5730	5200	6/6	6/6	2925	5760	5410	6/6	8/10	3050	5770	5420	6/6	6/6	
4750	—	—	—	—	2800	3800	4300	4500	—	—	—	—	—	—	—	6/6	6/6	3050	6010	—	6/6	6/6	3175	6020	5670	6/6	6/6	
5000	—	2850	2600	3150	2650	3700	4300	4500	3125	6260	5730	6/6	6/6	3125	6230	5700	6/6	6/6	3175	6260	5910	6/6	6/6	3300	6270	5920	6/6	6/6
5500	—	2400	—	2850	—	3200	4300	4300	3425	6760	6230	3/6	3/6	3425	6730	6200	3/6	3/6	3475	6760	6410	3/6	3/6	3600	6770	6420	3/6	3/6
6000	—	2000	—	2500	—	2900	4000	4000	3675	7260	6730	3/6	3/6	3675	7230	6700	3/6	3/6	3775	7260	6910	3/6	3/6	3850	7270	6920	3/6	3/6

BM 2-STAGE FULL FREE MAST

Lift height	Load capacity										Overall height of mast																							
	Counterbalanced forklift truck										3t				3.5t				4t				4.5t											
											Forks (on the ground)		Fully extended		Free		Mast tilt angle		Forks (on the ground)		Fully extended		Free		Mast tilt angle		Forks (on the ground)		Fully extended		Free		Mast tilt angle	
	3t		3.5t		4t		4.5t		With backrest	Without backrest	FR/RR	FR/RR	With backrest	Without backrest	FR/RR	FR/RR	With backrest	Without backrest	FR/RR	FR/RR	With backrest	Without backrest	FR/RR	FR/RR										
mm	kg	kg	kg	kg	kg	kg	kg	mm	mm	mm	mm	mm	mm	mm	°	°	mm	mm	mm	mm	mm	mm	mm	mm	mm	mm	mm	°	°					
2000	3000	3000	3500	3500	4000	4000	—	1575	3270	2740	315	845	8/10	8/10	1670	3270	2740	440	970	8/10	8/10	1670	3290	2940	450	800	6/12	6/12	—	—				
2500	3000	3000	3500	3500	4000	4000	4500	1825	3770	3240	565	1095	8/10	8/10	1920	3770	3240	690	1220	8/10	8/10	1920	3790	3440	700	1050	6/12	6/12	2000	3770	3420	995	1345	8/10
2700	3000	3000	3500	3500	4000	4000	4500	1925	3970	3440	665	1195	8/10	8/10	2020	3970	3440	790	1320	8/10	8/10	2020	3990	3640	800	1150	6/12	6/12	2100	3970	3620	995	1345	8/10
3000	3000	3000	3500	3500	4000	4000	4500	2075	4270	3740	815	1345	8/10	8/10	2170	4270	3740	940	1470	8/10	8/10	2170	4290	3940	950	1300	6/12	6/12	2250	4270	3920	995	1345	8/10
3300	3000	3000	3500	3500	4000	4000	4500	2225	4570	4040	965	1495	8/10	8/10	2320	4570	4040	1090	1620	8/10	8/10	2320	4590	4240	1100	1450	6/12	6/12	2400	4570	4220	1130	1480	8/10
3500	3000	3000	3500	3500	4000	4000	4500	2325	4770	4240	1065	1595	8/10	8/10	2420	4770	4240	1190	1720	8/10	8/10	2420	4790	4440	1200	1550	6/12	6/12	2500	4770	4420	1230	1580	8/10
3600	3000	3000	3500	3500	4000	4000	—	2375	4870	4340	1115	1645	8/10	8/10	2470	4870	4340	1240	1770	8/10	8/10	2470	4890	4540	1250	1600	6/12	6/12	—	—	—	—	—	
3700	3000	3000	3500	3500	4000	4000	4500	2425	4970	4440	1165	1695	8/10	8/10	2520	4970	4440	1290	1820	6/6	8/10	2520	4990	4640	1300	1650	6/12	6/12	2625	5020	4670	1355	1705	8/10
4000	2850	3000	3500	3500	4000	4000	4500	2625	5270	4740	1365	1895	6/6	8/10	2720	5270	4740	1440	1970	6/6	8/10	2720	5290	4940	1450	1800	6/12	6/12	2800	5270	4920	1530	1880	8/10
4250	2600	3000	3300	3500	3600	4000	4300	2750	5520	4990	1490	2020	6/6	8/10	2845	5520	4990	1565	2095	6/6	8/10	2845	5540	5190	1575	1925	6/6	6/12	2925	5520	5170	1655	2005	8/10
4500	2600	3000	3050	3500	3200	3800	4100	2875	5770	5240	1615	2145	6/6	6/6	2970	5770	5240	1690	2220	6/6	6/6	2970	5790	5440	1700	2050	6/6	6/12	3050	5770	5420	1780	2130	6/6

CM 3-STAGE FULL FREE MAST

Lift height	Load capacity										Overall height of mast																				
	Counterbalanced forklift truck										3t				3.5t				4t				4.5t				Mast tilt angle				
											Forks (on the ground)		Fully extended		Free		Forks (on the ground)		Fully extended		Free		Forks (on the ground)		Fully extended			Free		Forks (on the ground)	
	3t		3.5t		4t		4.5t		With backrest	Without backrest	With backrest	Without backrest	With backrest	Without backrest	With backrest	Without backrest	With backrest	Without backrest	With backrest	Without backrest	With backrest	Without backrest	With backrest	Without backrest	With backrest	Without backrest	With backrest	Without backrest	FR/RR		
mm	kg	kg	kg	kg	kg	kg	kg	mm	mm	mm	mm	mm	mm	mm	mm	mm	mm	mm	mm	mm	mm	mm	mm	mm	mm	mm	mm	mm	mm	mm	°
3600	2900	3000	3400	3400	3800	3800	4100	4100	1800	4870	4340	570	1100	1800	4870	4340	570	1100	1875	4900	4550	650	1000	2010	4900	4550	840	1190	6/6		
4000	2850	3000	3350	3400	3800	3800	4100	4100	1935	5270	4740	705	1235	1935	5270	4740	705	1235	2005	5300	4950	780	1130	2145	5300	4950	925	1275	6/6		
4200	2800	3000	3300	3400	3800	3800	4100	4100	2000	5470	4940	770	1300	2000	5470	4940	770	1300	2075	5500	5150	850	1200	2210	5500	5150	990	1340	6/6		
4350	2700	2900	3200	3400	3600	3700	4100	4100	2050	5620	5090	820	1350	2050	5620	5090	820	1350	2125	5650	5300	900	1250	2260	5650	5300	1040	1390	6/6		
4500	2600	2800	3100	3300	3600	3700	4100	4100	2100	5770	5240	870	1400	2100	5770	5240	870	1400	2175	5800	5450	950	1300	2310	5800	5450	1090	1440	6/6		
4800	2400	2700	2900	3200	3100	3600	4100	4100	2200	6070	5540	970	1500	2200	6070	5540	970	1500	2275	6100	5750	1050	1400	2410	6100	5750	1190	1540	6/6		
5000	2100	2350	2600	2900	2900	3550	3750	3900	2265	6270	5740	1035	1565	2270	6270	5740	1040	1570	2345	6300	5950	1120	1470	2480	6300	5950	1255	1605	6/6		
5500	2000	2300	2500	2800	2600	3450	3250	3800	2485	6770	6240	1255	1785	2485	6770	6240	1255	1785	2560	6800	6450	1285	1635	2645	6800	6450	1475	1825	3/6		
6000	1300	1950	1750	2500	2200	3100	2750	3500	2650	7270	6740	1370	1900	2650	7270	6740	1420	1950	2725	7300	6950	1450	1800	2860	7300	6950	1590	1940	3/6		

LITHIUM BATTERY CAPACITY CONFIGURATION TABLE

Model	Size of lithium battery box mm	(Ah) capacity	remarks
CPD30/35V Versatility Model	650 × 620 × 605	165Ah	Standard
		220Ah	Optional
CPD40V Versatility Model		220Ah	Standard

CHARGER MODEL CONFIGURATION TABLE

Charger model configuration table	Voltage	Model	remarks
156V100A	380V	CPD30-45(1	



MATERIAL HANDLING EXPERTS FROM AUTOMOTIVE QUALITY



JAC HEAVY DUTY IMPORT & EXPORT CO.,LTD



ADDRESS: SHANGHAI ROAD, BAOHE INDUSTRIAL PARK, HEFEI, ANHUI, CHINA
PC. 230051



TEL: 86-551-62297986



FAX: 86-551-62297990

WEB: www.jaczg.com ; www.jacforklift.com

E-mail: jac@jaczg.com

ISO 9001
ISO 14001
OHSAS 18001